

# Services

## COMPLETE

Netcentric solution and service offerings are designed within a holistic framework and built to be managed and supported as a complete system.

## OPEN

Netcentric solution and service offerings are based on open, industry standard technologies that interoperate with your existing IT investments.

## INTEGRATED

Netcentric solution and service offerings are based on the fundamental principle that maximum value from technology is best achieved when it's engineered, tested, and pre-integrated to work together as a single, workload-optimized system.

For more information on any of our products or services please visit us on the Web:  
[www.netcentricsystems.com](http://www.netcentricsystems.com)

## ORACLE REAL APPLICATION CLUSTERS (RAC) SERVICES

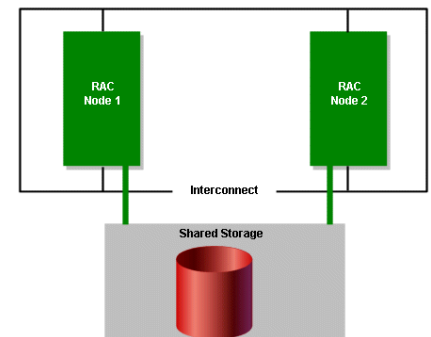
In a world where businesses operate 24/7, system uptime is paramount. And nowhere in the datacenter is uptime more important than mission-critical databases. These systems typically provide real-time information access which requires the database environment to be properly architected for availability, scalability, and performance.

Oracle Real Application Clusters (RAC), the foundation of Oracle Grid Computing, is a scale-out database configuration option that provides tremendous scalability and availability without requiring changes to your packaged or custom applications. Businesses can start small with a two node cluster and grow incrementally to meet future needs. However, Oracle RAC is a highly complex database technology, requiring careful consideration of the architectural components, hardware requirements, database design, implementation, and maintenance.

Choosing experts with Oracle RAC domain expertise and proven experience in the effective deployment and optimization of RAC and other core Oracle technologies is essential to success. Netcentric Services has certified Oracle RAC experts who have years of experience architecting, implementing, and optimizing RAC using proven techniques and Oracle best practices. We also ensure our RAC deployments are easily repeatable and the environment is automated as much as possible for ongoing service management.

## Consulting Services

- Oracle Maximum Availability Architecture (MAA) Consulting for Oracle Database and Grid Control
- Build Specifications for Server, Network, and Storage including ASM & File System Layout
- Oracle RAC installation, configuration, and testing
- Oracle RMAN Backup and Recovery Implementations
- Oracle Data Guard Disaster Recovery Implementations
- Oracle Enterprise Manager Grid Control and Add-On Database Management Packs Implementation
- Oracle RAC Health Checks and Performance Tuning



## ORACLE RAC SERVICES

- > Oracle RAC Assessment Service
- > Oracle RAC Architecture Service
- > Oracle RAC Implementation Service
- > Oracle RAC Performance Tuning
- > Oracle RAC DBA Services

**Netcentric**<sup>TM</sup>  
systems LLC

300 Esplanade Drive, Suite 980  
Oxnard, CA 93036  
Phone: 818.225.0150  
Web: [www.netcentricsystems.com](http://www.netcentricsystems.com)

**ORACLE** Platinum  
Partner